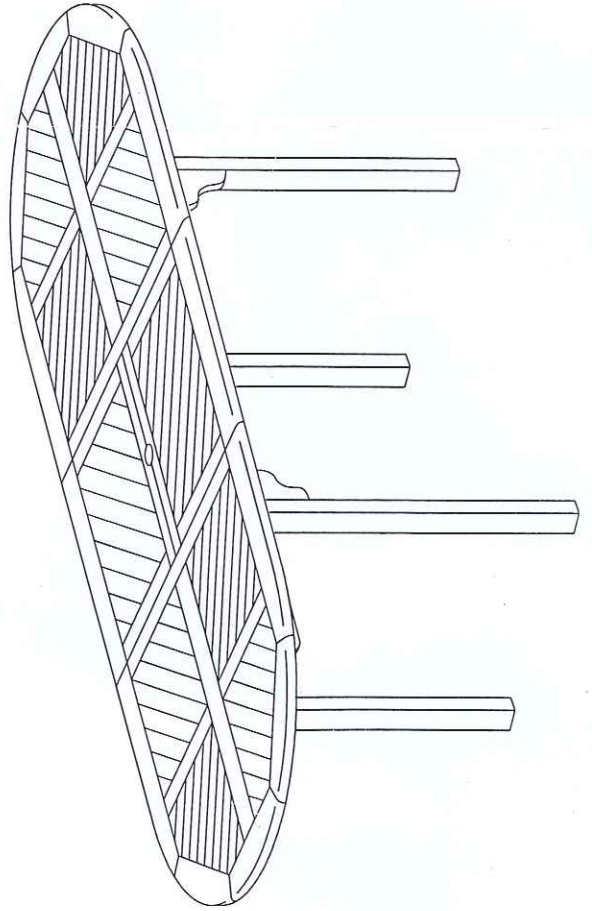
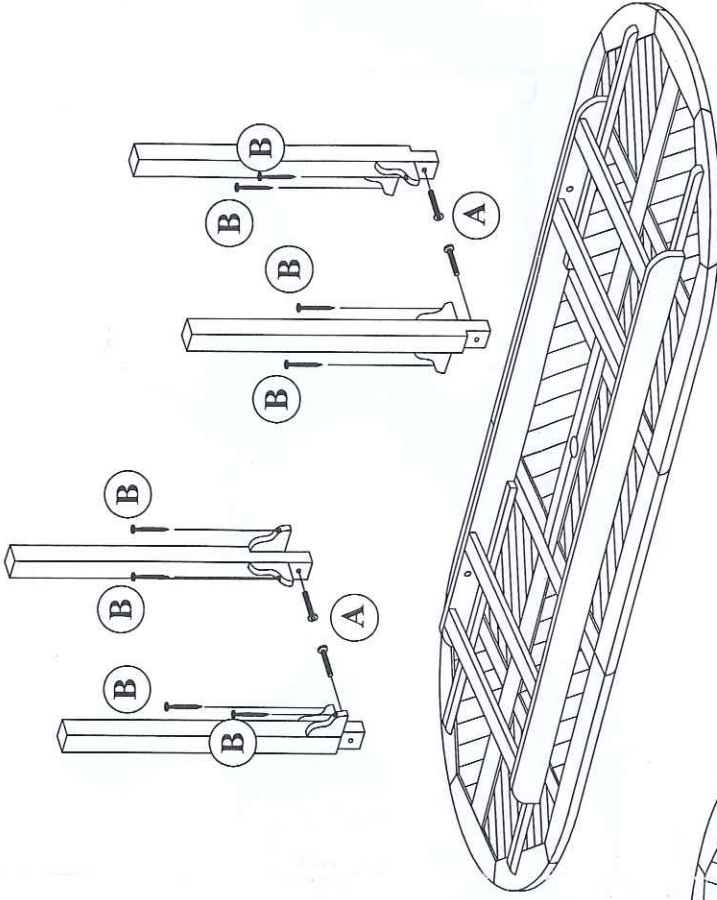
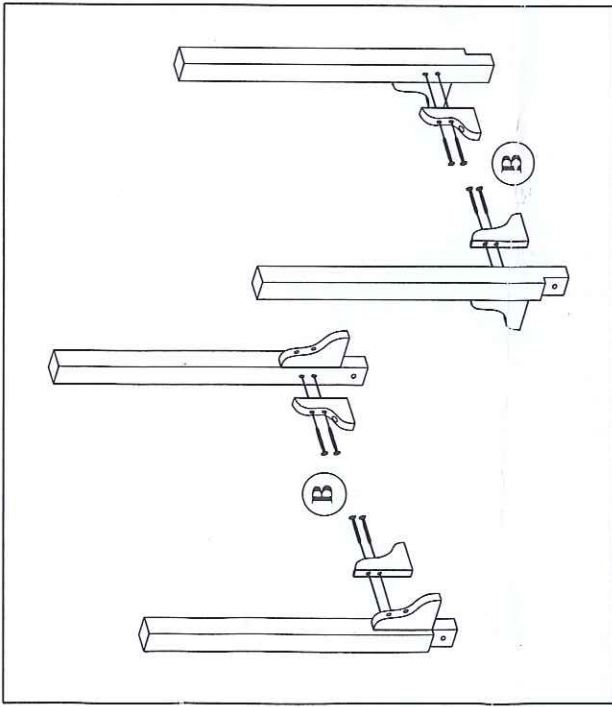

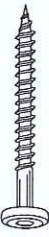



ASSEMBLY INSTRUCTION



A	 Ø8 x 40 mm	4 pcs
B	 Ø6 x 50 mm	16 pcs
C	 Ø4 mm	2 pcs