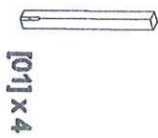
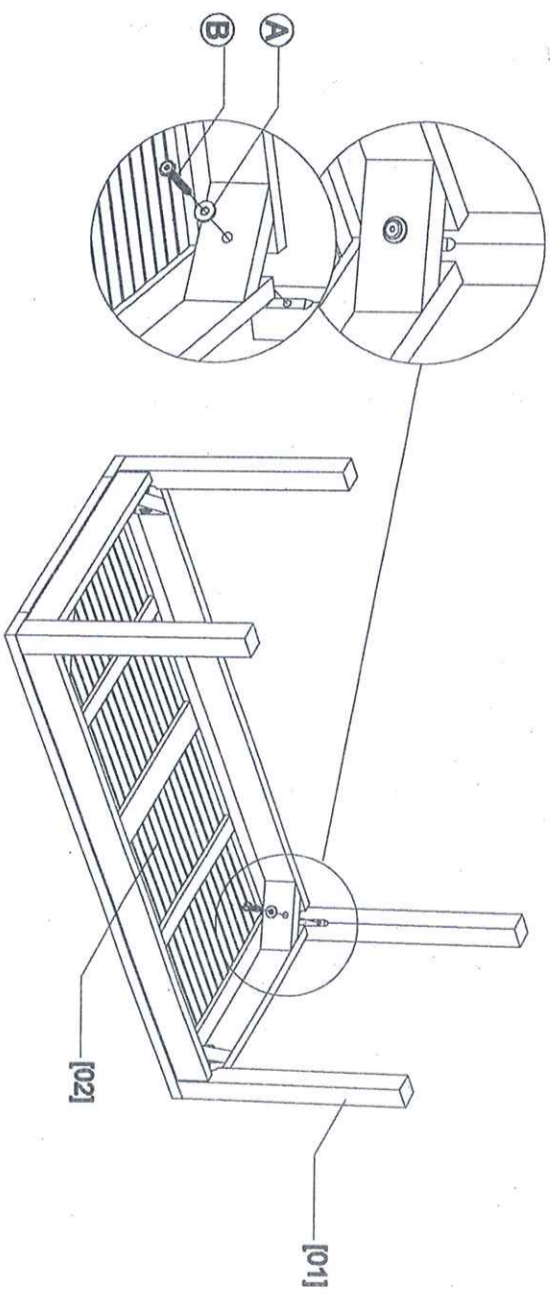
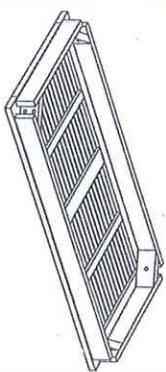


[1]

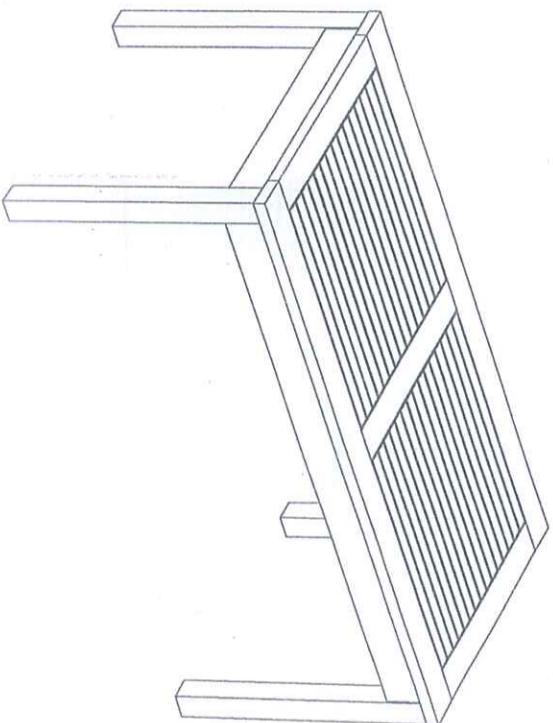





[01] x 4







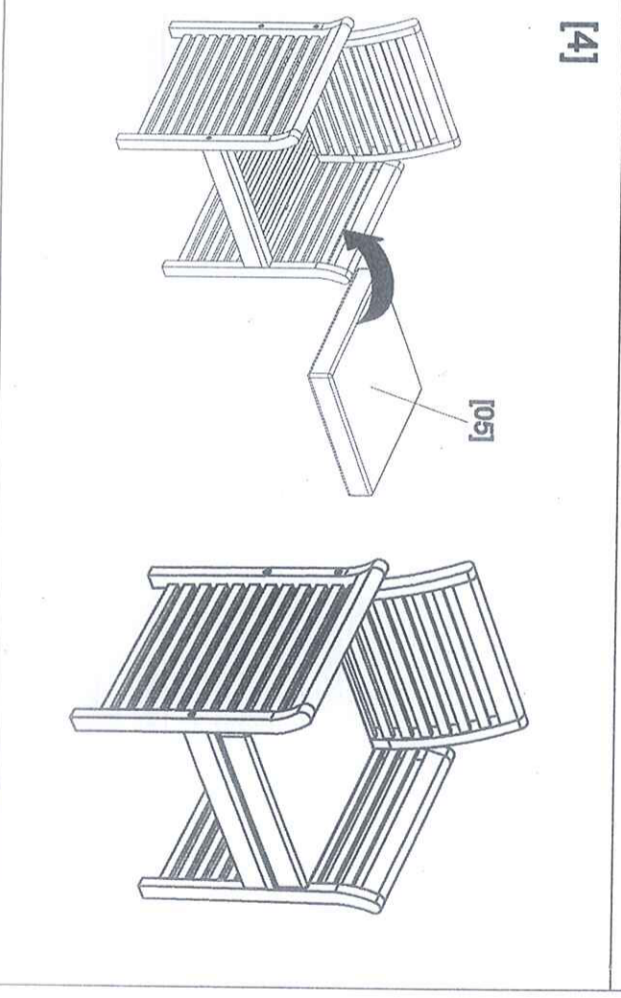
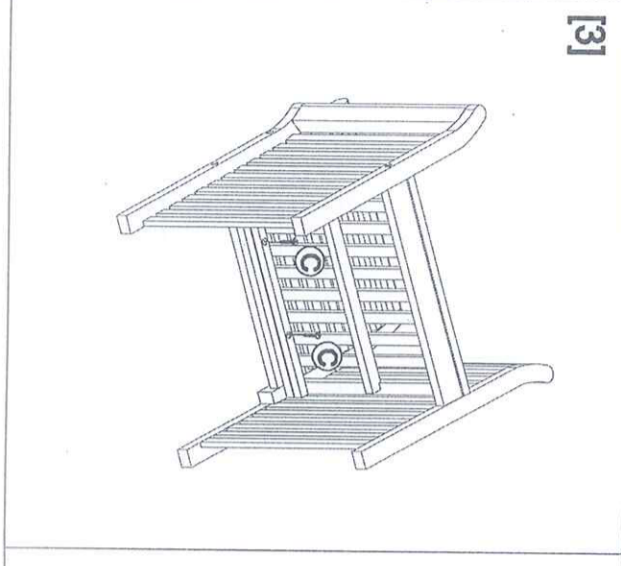
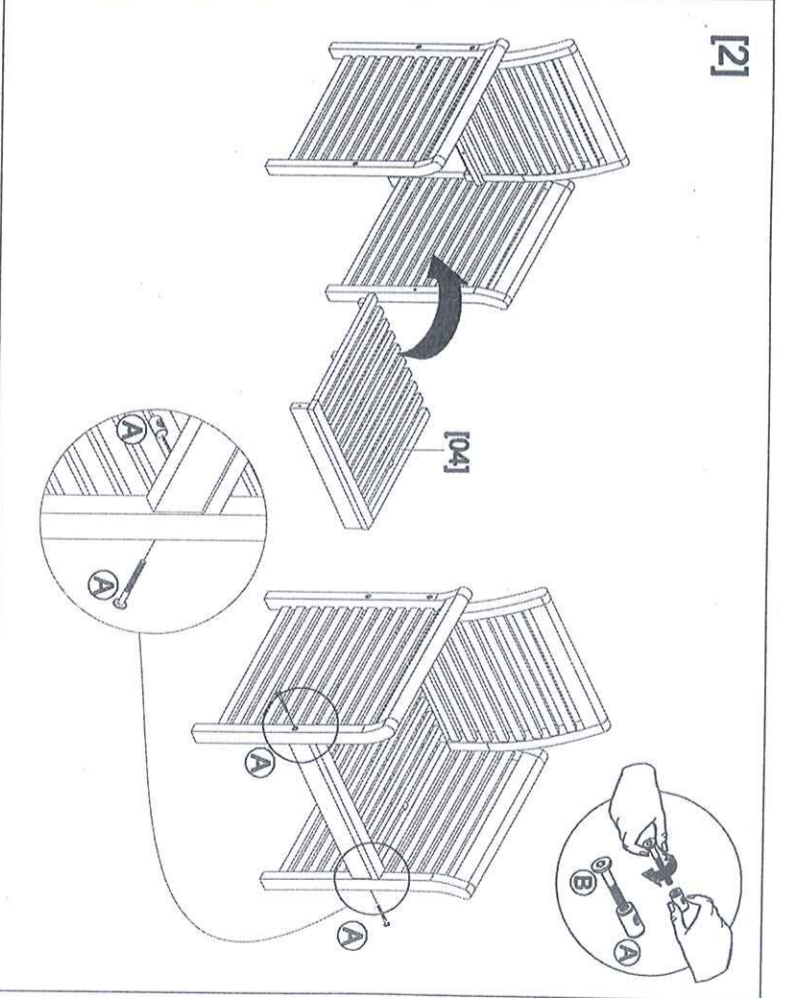
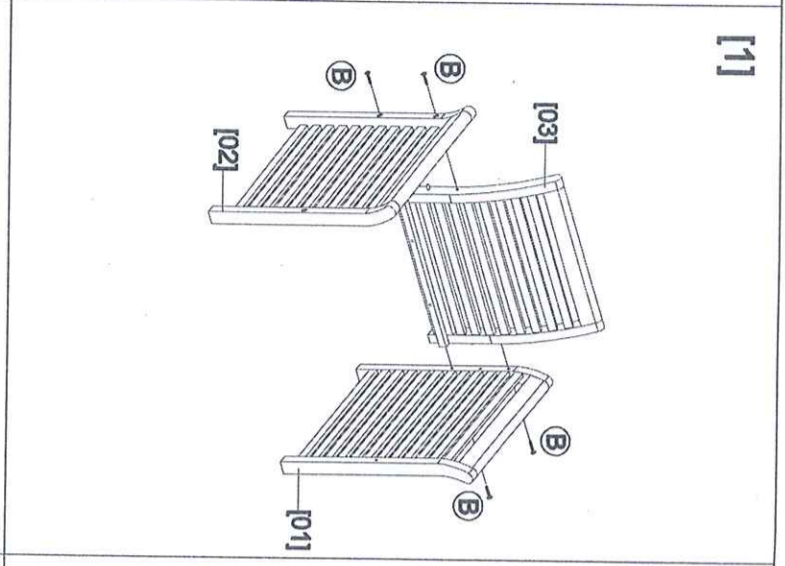
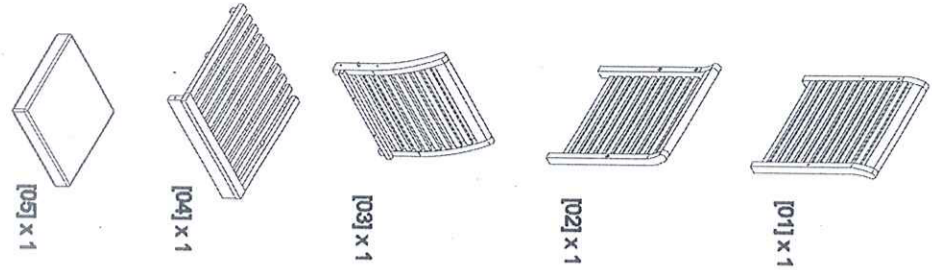
[02] x 1

[2]



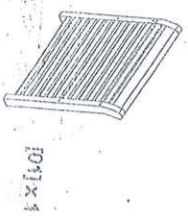
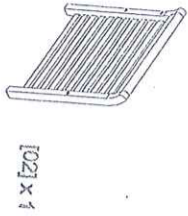
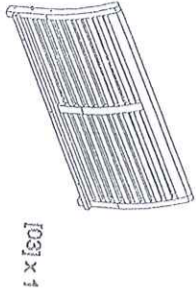
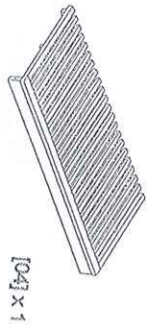
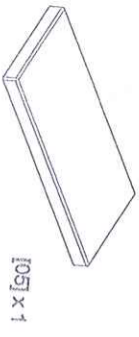
A	 (Φ8.5)mm	x 4
B	 (Φ8 x 50)mm	x 4
C	 (Φ4)mm	x 1

<b>A</b>  (φ6 x 70)mm x 2	<b>B</b>  (φ6 x 40)mm x 5	<b>C</b>  (φ6 x 35)mm x 2	<b>D</b>  (φ4)mm x 1
---	---	---	--

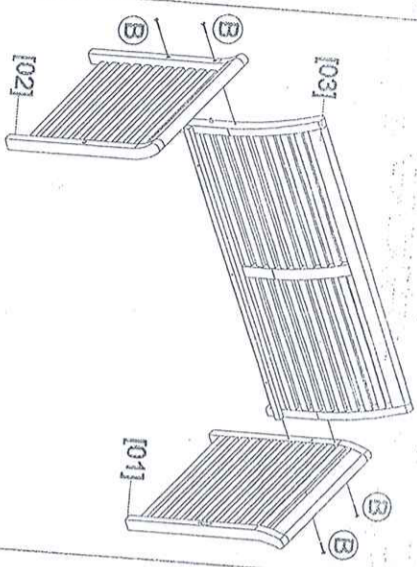




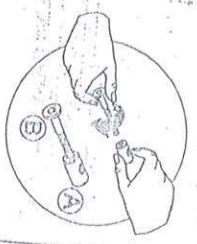
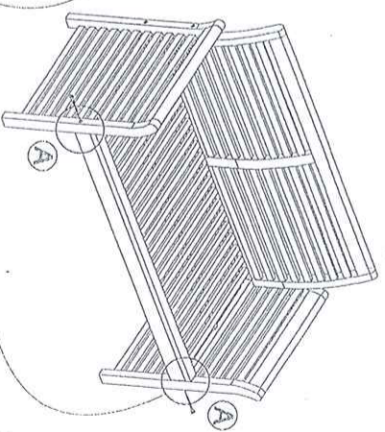
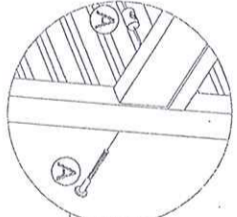
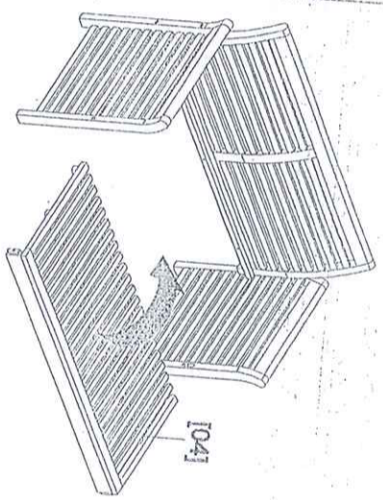
A		x 2
B		x 5
C		x 2
D		x 1



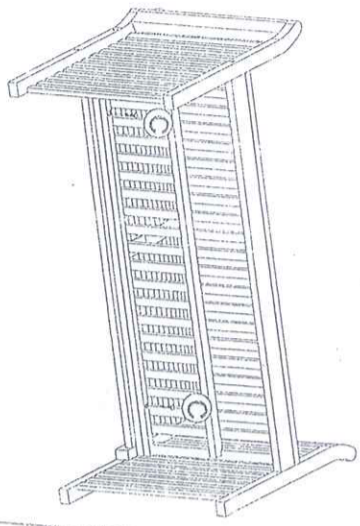
[1]



[2]



[3]



[4]

