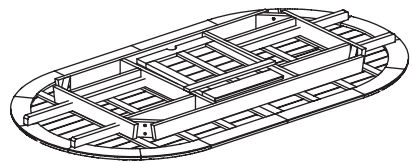
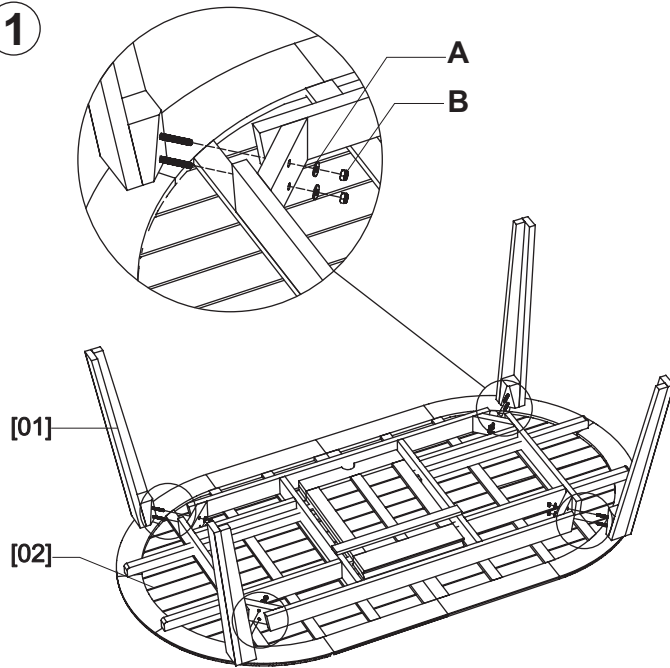


[01] x 4

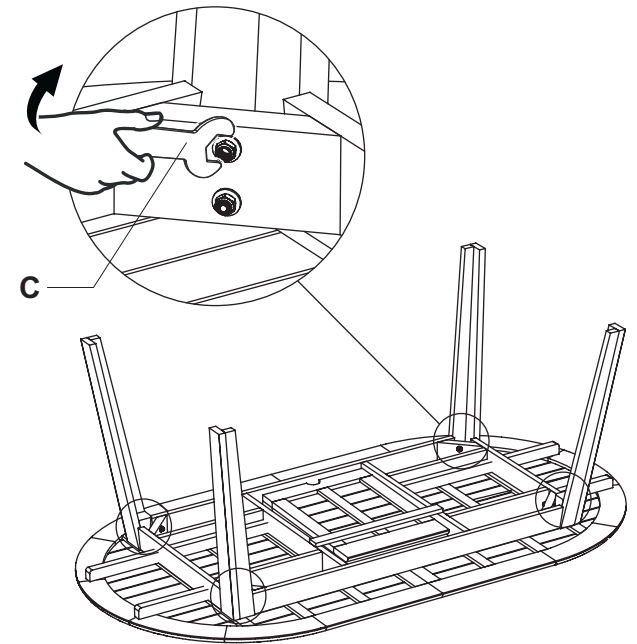


[02] x 1

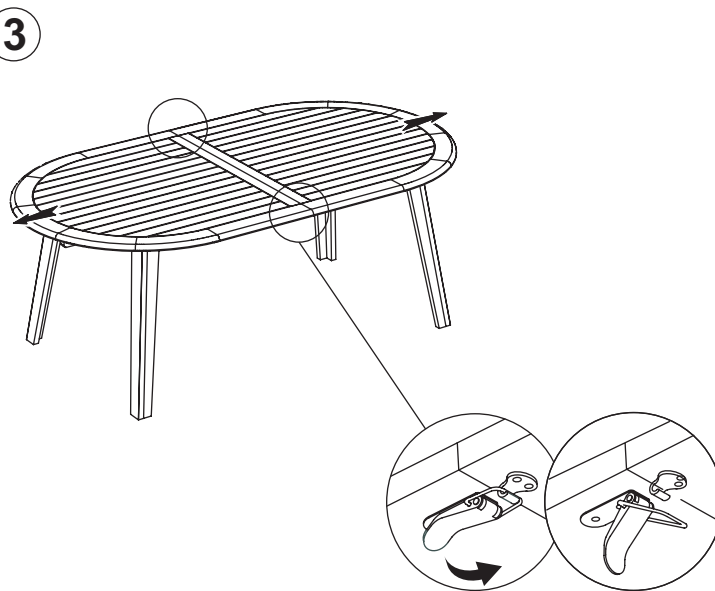
1



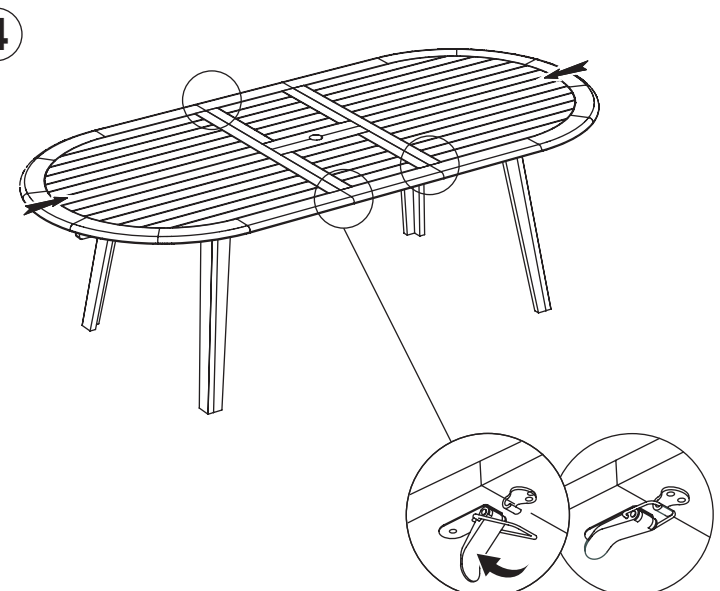
2



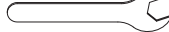


3



4



A	 (Φ8.5)mm	x 8
B	 (Φ8 x 13)mm	x 8
C	 (M13)mm	x 1